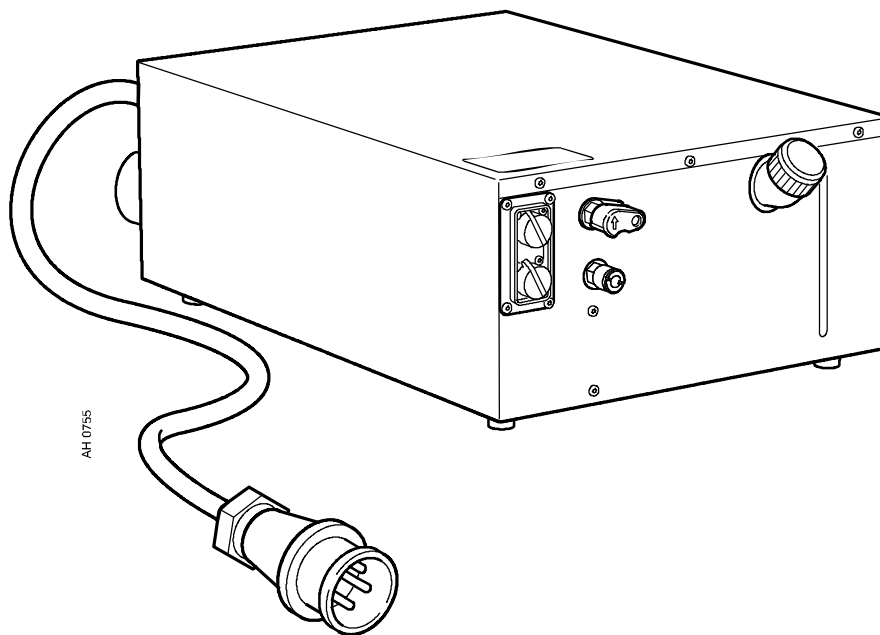


**Spare parts list**

Edition 20120320



**Valid for serial no. 607-xxx-xxxx**

<b>Ordering no.</b>	<b>Product</b>
0459 840 880	CoolMidi 1800
0459 840 881	CoolMidi 1800 for MechTig

Spare parts are to be ordered through the nearest ESAB agency. Kindly indicate type of unit, serial number, denominations and ordering numbers according to the spare parts list.

Maintenance and repair work should be performed by an experienced person, and electrical work only by a trained electrician. Use only recommended spare parts.

Rights reserved to alter specifications without notice.

# CoolMidi 1800

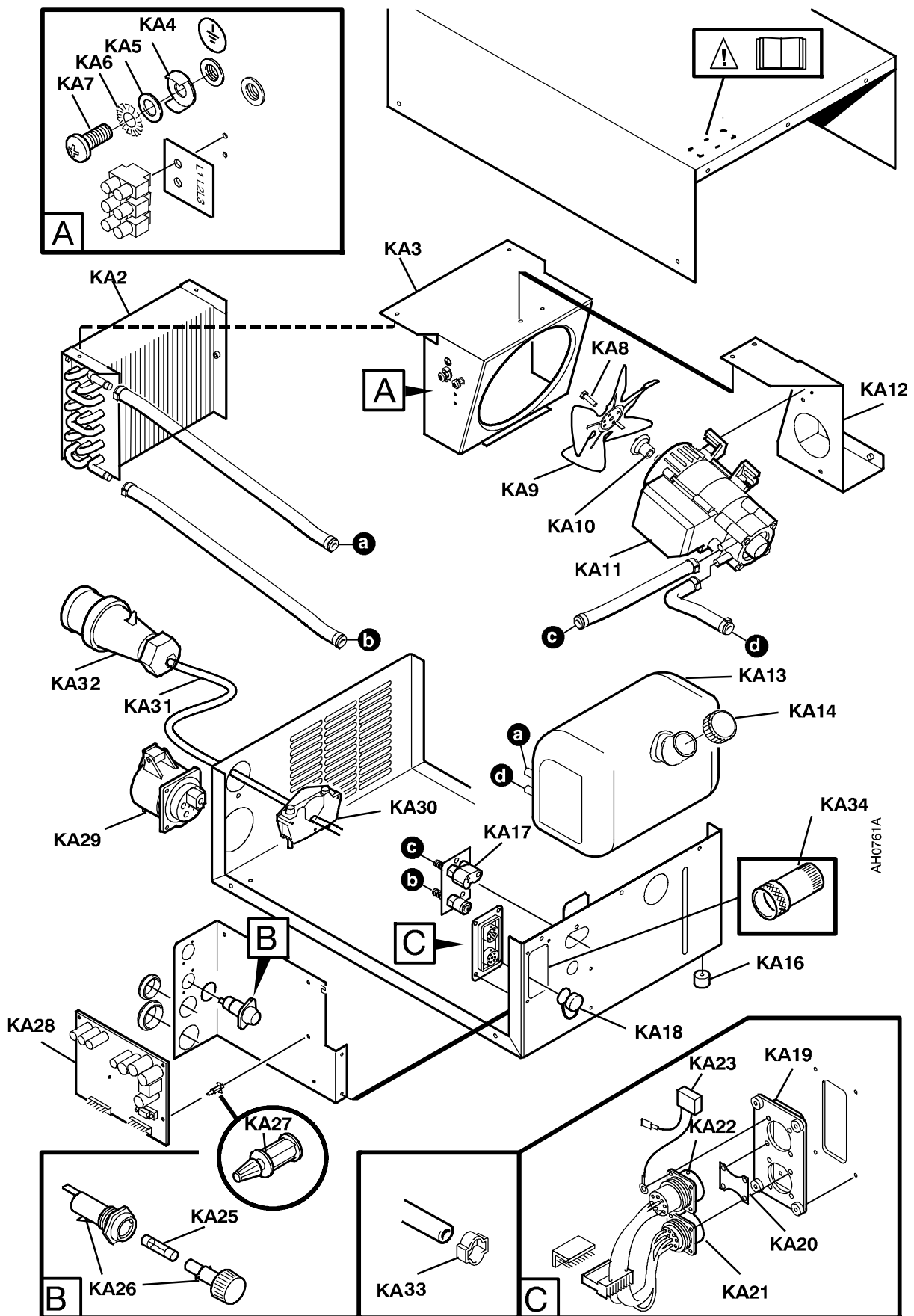
C = component designation in the circuit diagram

Item	Qty	Ordering no.	Denomination	Notes	C
KA2	1	0459 845 001	Radiator		
KA3	1	0459 843 001	Fan cover		
KA4	1	0264 300 404	Washer	KB 6.5	
KA5	1		Washer	Ø 16/8.4x1.5	
KA6	2		Washer lock	Ø 6.4x11 FZB	
KA7	2		Screw	M6x20	
KA8	1		Screw	M6x20, included in item KA11	
KA9	1	0459 804 001	Fan		
KA10	1		Plastic plug	Included in item KA11	
KA11	1	0459 803 001	Pump		5M1
KA12	1	0459 844 001	Pump bracket		
KA13	1	0459 847 880	Water tank	With tank cap and hose connections	
KA14	1	0457 245 002	Tank cap		
KA16	4	0467 695 001	Rubber foot		
KA17	1		Water outlet with lock	Fore more inform. see page 4.	5S1
KA18	2		Protection cap	12 pole, included in item KA50	
KA19	1		Insulation	Included in item KA50	
KA20	1		Screen plate	Included in item KA50	
KA21	1		Panel socket	12 pole, included in item KA50	5XS2
KA22	1		Panel plug	12 pole, included in item KA50	5XP1
KA23	1		Capacitor	0.1µF 250V, included in item KA50	
KA25	2	0459 285 002	Fuse	1 A slow	5FU1, 5FU2
KA26	2	0459 284 001	Fuse holder		
KA27	4	0192 790 104	Spacer		
KA28	1	0487 372 880	Circuit board	Configured for CoolMidi 1800	5AP1
	1	0487 372 881	Circuit board	Configured for CoolMidi 1800, MechTig	5AP1
KA29	1	0194 215 001	Panel socket		5XS5
KA30	1	0469 950 880	Cable inlet		
KA31	1	0468 516 887	Mains cable without contact		
KA32	1	0349 891 208	Motor plug	Mains cable plug	
KA33	1		Hose clamp	18.5-706R	
KA34	1	0459 314 880	Terminal resistor	Termination resistor	
	1	0456 527 886	Control cable	CAN 12 pole	
<b>a</b>	1	0457 987 001	Hose	L=0.40m, D=17/10mm, to be ordered per metre	
<b>b</b>	1	0457 987 001	Hose	L=0.53m, D=17/10mm, to be ordered per metre	
<b>c</b>	1	0457 987 001	Hose	L=0.34m, D=17/10mm, to be ordered per metre	
<b>d</b>	1	0459 962 001	Hose	D=17/10mm.	

## SPARE PARTS SETS

Item	Ordering no.	Denomination	Notes
KA50	0459 860 880	Cable set panel outlet	Includes: item KA18, KA19, KA20, KA21, KA22 and KA23

# CoolMidi 1800

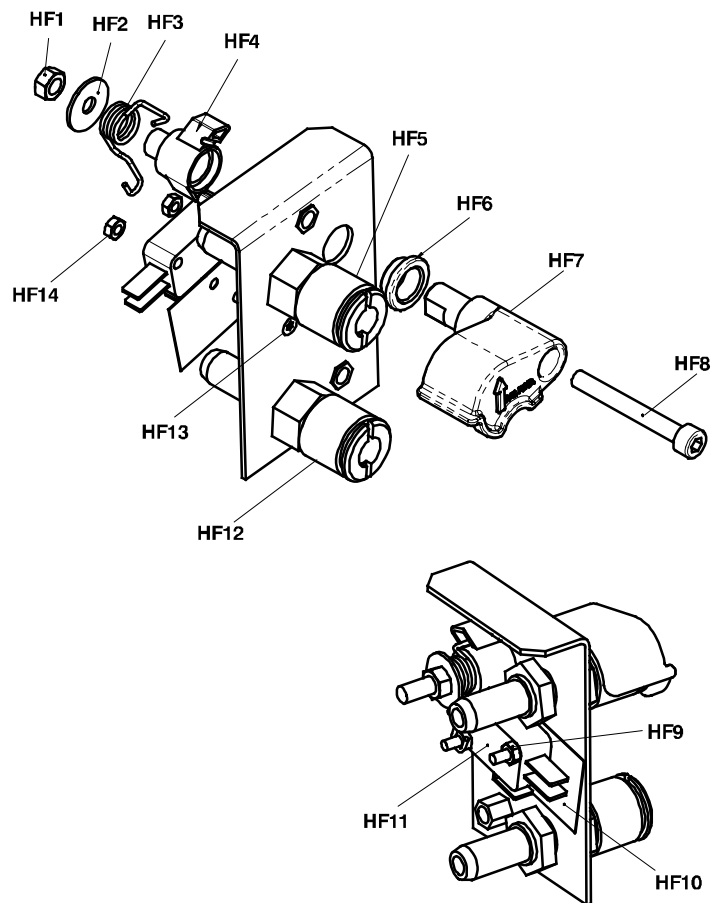


# CoolMidi 1800

Item	Qty	Ordering no.	Denomination	Notes
HF1	1		Nut	M5
HF2	1		Washer	D16/5x1
HF3	1		Spring	
HF4	1		Water lock cam	
HF5	1	0365 803 012	Quick connector	Female, blue
HF6	1		Water lock bushing	
HF7	1		Water lock outlet	
HF8	1		Screw	M5x35
HF9	1		Nut	M3
HF10	1	0458 589 001	Insulation plate	
HF11	1	0458 364 001	Micro switch	
HF12	1	0365 803 011	Quick connector	Female, red
HF13	2		Screw	M3x20
HF14	2		Nut	M3

## SPARE PARTS SET

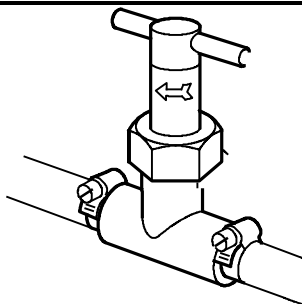
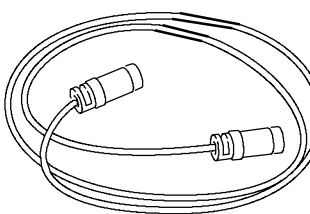
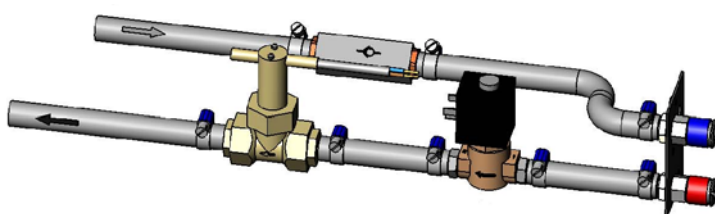
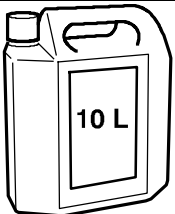
Item	Qty	Ordering no.	Denomination	Notes
HF50	1	0458 370 900	Water connection spare kit	Contains items HF1, HF2, HF3, HF4, HF6, HF7 and HF8



H

# CoolMidi 1800

## Accessories

 A technical drawing of a water flow guard. It consists of a central vertical pipe with a T-shaped handle on top. Two side pipes branch out from the main pipe, each with a small valve. A double-headed arrow is shown on the central pipe to indicate flow direction.	<p><b>Water flow guard</b> ..... 0456 855 881</p>
 A technical drawing of a control cable. It is a coiled cable with two connectors at the ends. One connector is a standard electrical plug, and the other is a specialized connector for the cooling unit.	<p><b>Control cable</b> ..... 0456 527 886 Cooling unit to power source</p>
 A technical drawing of a water return flow guard. It shows a complex assembly of pipes, valves, and a solenoid valve. The assembly includes a main horizontal pipe with a flow guard, a non-return valve, and a solenoid valve. There are also two vertical pipes branching off, one with a red cap and one with a blue cap.	<p><b>Water return flow guard</b> ..... 0461 203 880 Flow guard, non return valve &amp; solenoid valve</p>
 A technical drawing of a 10-liter coolant container. It is a rectangular plastic jug with a handle and a cap. The text "10 L" is printed on the front of the container.	<p><b>Coolant</b> (Ready mixed) 50% water and 50% mono-ethylene glycol (10 l) ..... 0007 810 012</p>

